

# LIONEL SERVICE MANUAL

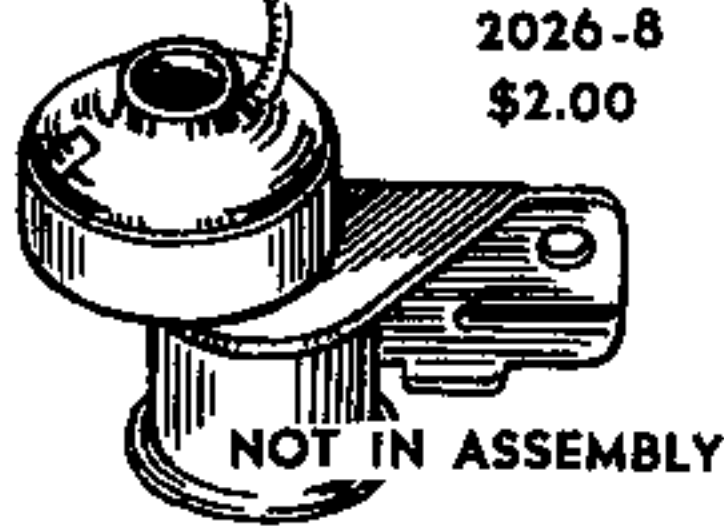
**MOTOR COMPLETE**  
2026M-1  
\$7.00

NOT IN ASSEMBLY  
PHILLIPS OVAL HEAD SCREW  
6-32x3-4"  
\$.02

BINDING HEAD SCREW  
6-32x3-16"  
\$.02

E-UNIT COMPLETE  
226E-35  
\$2.50

SMOKE UNIT COMPLETE  
2026-8  
\$2.00



NOT IN ASSEMBLY

BLACK WIRE TO SHOE  
YELLOW WIRE TO BRUSHES

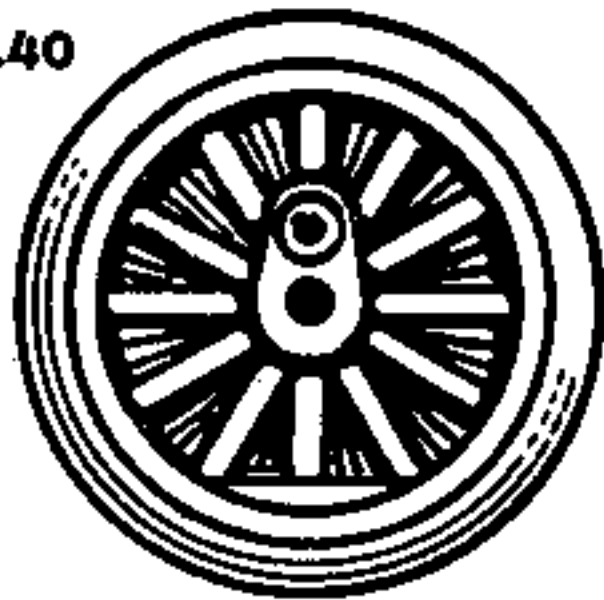
SELF-TAPPING  
ROUND HEAD SCREW  
TYPE "Z"  
4x3-16"  
\$.02

SMOKE LEVER  
2026-49  
\$.10

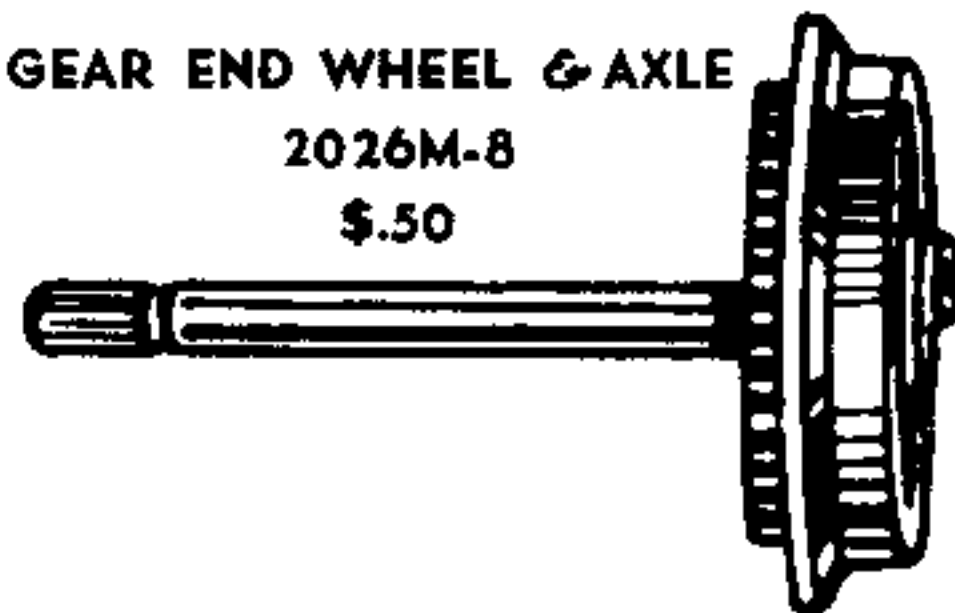
SPACER  
SL-52  
\$.05

Use of the improved Smoke Lever 2026-49, shown above, requires additional parts which are illustrated, together with other components of Smoke Unit 2026-8, in Section LOC-SU, Page 4.

PLAIN END WHEEL  
2026M-10  
\$.40



GEAR END WHEEL & AXLE  
2026M-8  
\$.50



PLAIN CENTER WHEEL  
1666M-7  
\$.40



AXLE  
226E-95  
\$.05



GEAR CENTER WHEEL & AXLE  
1666M-8  
\$.50



AXLE BUSHING  
1689E-14  
\$.15



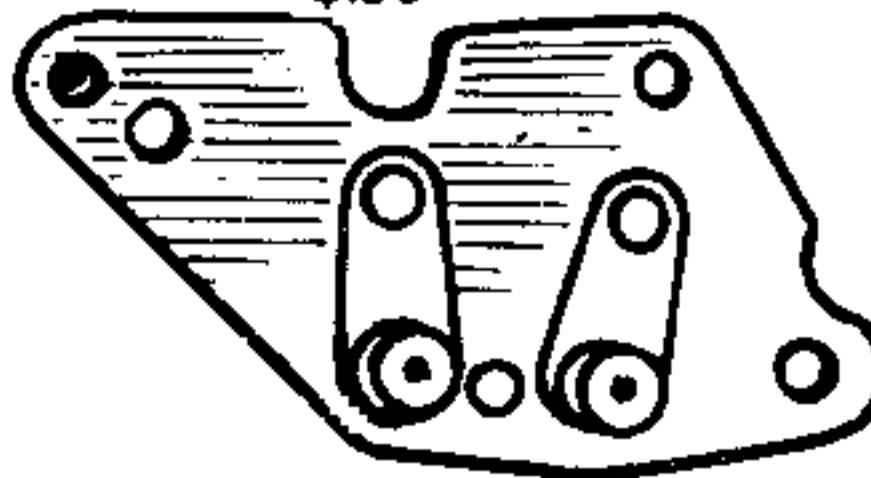
ROUND HEAD SCREW  
4-36x3-16  
\$.02



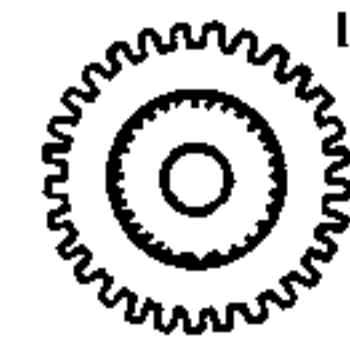
GEAR PLATE  
1668E-21  
\$.25



BRUSH PLATE  
2026M-14  
\$.50



SECOND INTERMEDIATE GEAR  
1668E-19  
\$.35



FIRST INTERMEDIATE GEAR  
1668E-18  
\$.35



GEAR STUD  
262E-13  
\$.05



BRUSH SPRING  
224E-101  
\$.10 a pair



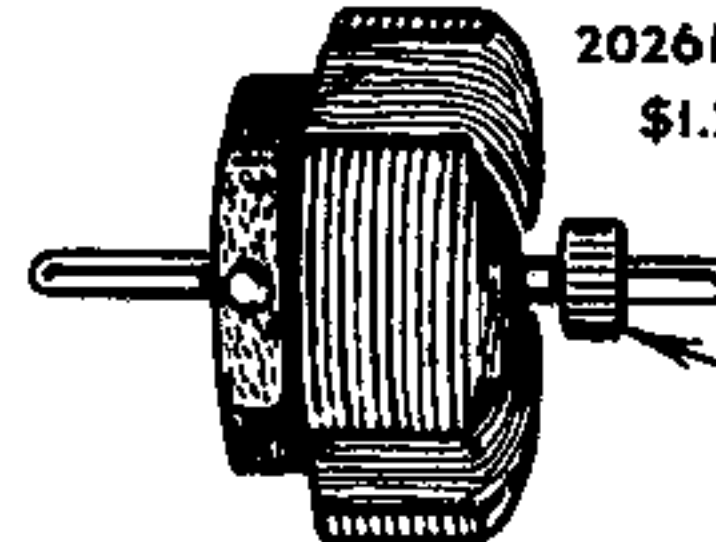
BRUSH  
1661E-29  
\$.35 a pair



ARMATURE WASHER  
97M-15  
\$.02



ARMATURE & PINION  
2026M-17  
\$1.25



PINION  
1668E-43  
\$.10

CONTACT SHOE  
1661-33  
\$.15



SHOE COMPLETE  
2026M-4  
\$.60

To remove the contact shoe insert a thin metal strip between the shoe and the spring 'D' as far as it will go. Bend the spring up to release the hook of the shoe from the slot in the spring and ease the shoe out. Be careful not to overbend the spring.

