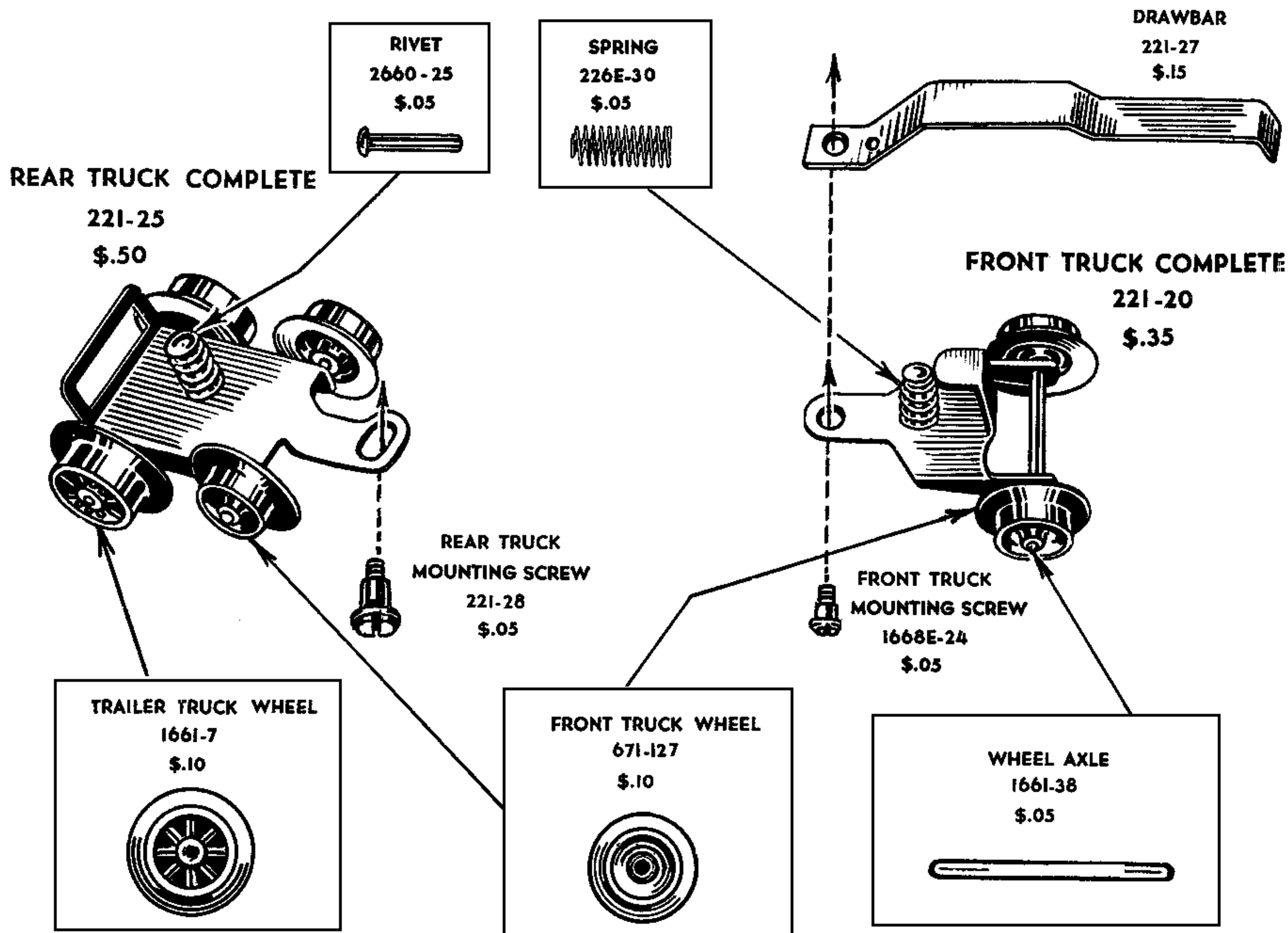


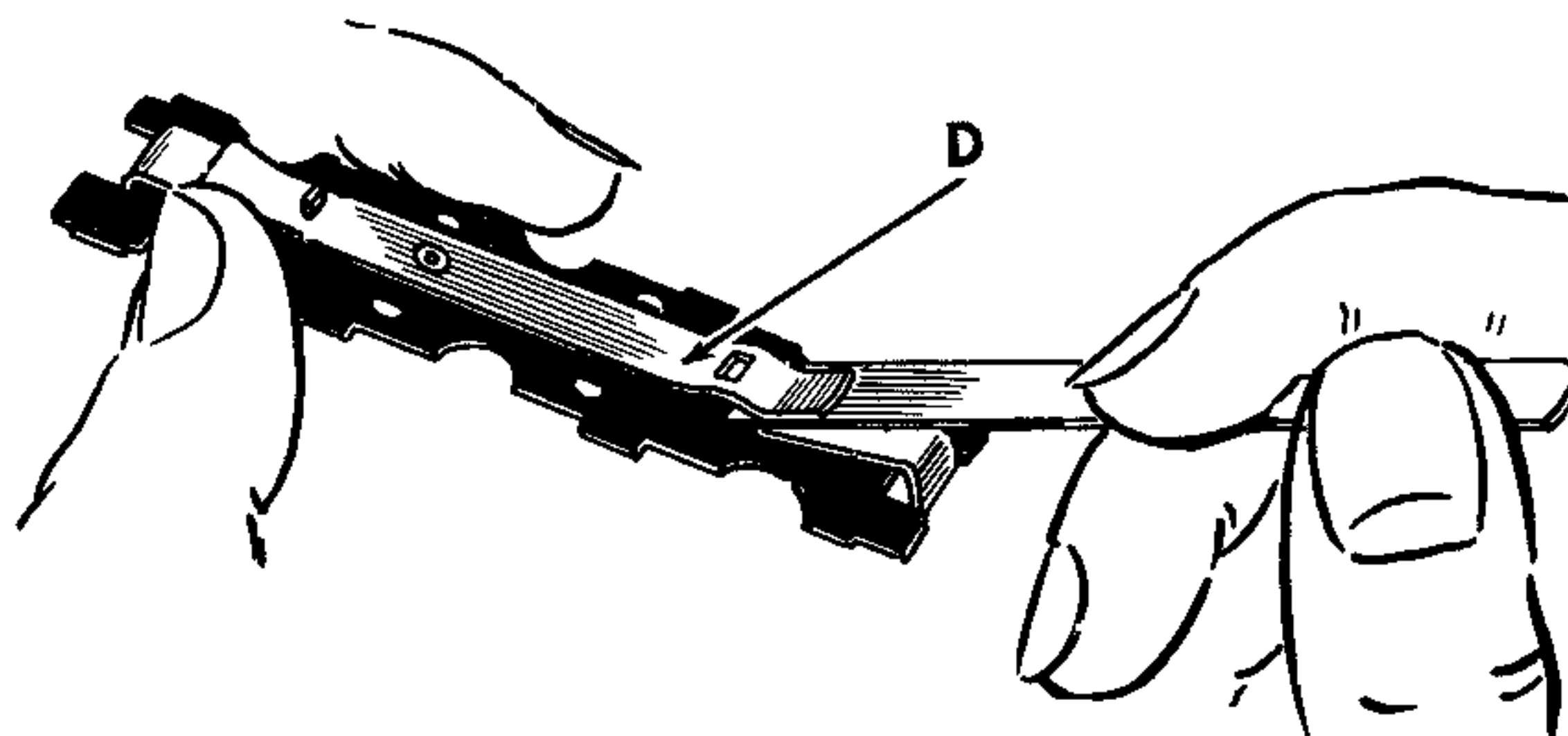
LIONEL SERVICE MANUAL



**CONTACT SHOE ASSEMBLY**  
 1668E-20  
 \$.60



**CONTACT SHOE**  
 1661-33  
 \$.15



To remove the contact shoe insert a thin metal strip between the shoe and the spring 'D' as far as it will go. Bend the spring up to release the hook of the shoe from the slot in the spring and ease the shoe out. Be careful not to overbend the spring.